

# Specifications:

## Tube Material Reference:

**Alloys:** Brass, Copper, Copper Nickel, Aluminum brass, Stainless Steel, Titanium, Inconel and Carbon Steel

**Standard Tube Sizes:** ¾, ⅞ & 1" OD and 16-22 gauge

## Technical and Performance Data

- **Pulling Capacity:** 10 Tons
- **Cylinder Stroke:** 6 inches
- **Cylinder Cycle:** 8/minute (8 tube pulls/minute)
- **Cylinder Type:** Single acting with air return
- **Air Requirement:** 90 psi static line pressure
- **Operating Pressure Range:** 1,800-10,000 psi
- **Consumable Parts:** Jaw Set (4-6 Collet segments, draw bolt & o-ring)
- **Jaw Set Wear Rate:** Average 6,000 pulls
- **Tool Adjustments:** (3) Jaw set depth, jaw set gripping diameter and pump pressure.
- **Puller Weight:** 11.5/lbs
- **Pump Oil Requirement:** 2.5 gallons of ISO 46
- **Pump Motor:** 1-1/8 hp
- **Pump Electrical Requirement:** 115VAC/50Hz or 60Hz/25amps

## How It Works:

- Step 1:** Determine the OD and gauge of the tubes to be pulled.
- Step 2:** Select and install proper size adapter assembly parts.
- Step 3:** Adjust for depth and insert the jaw set into the tube.
- Step 4:** Pull-hold the trigger to grip and pull the tube.
- Step 5:** Release trigger to collapse the jaw set & remove from tube.
- Step 6:** Move on to the next tube to be pulled in the prescribed pattern.

## Design Features:

**Compact and Light Weight:** Eliminates need for a tool balancer.

**Powerful:** Hydraulic cylinder produces 10 tons of pulling force.

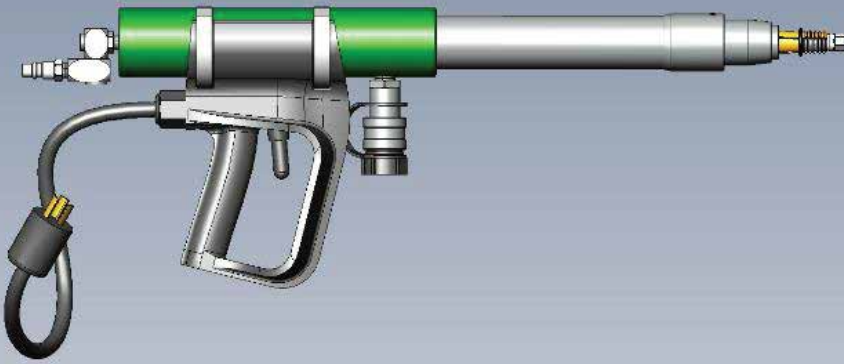
**Grip Force:** Floating collet segments with offset jaw teeth provide maximum gripping force around the entire inner surface of the tube and extend tool life

**Quick:** Rapid cylinder stroke cycle delivers an unmatched level of productivity.

**Ergonomically Designed:** Molded plastic control handle provides comfortable grip and water resistant trigger switch eliminates shorts in the pump remote control circuit.

**Easy Adjustment:** Nose piece locks into position to set jaw set depth.

**Low Maintenance:** Extreme pressure seals reduce replacement frequency and use of high tensile strength alloy steels extends the life of the cylinder moving parts.



## Collet Tube Puller

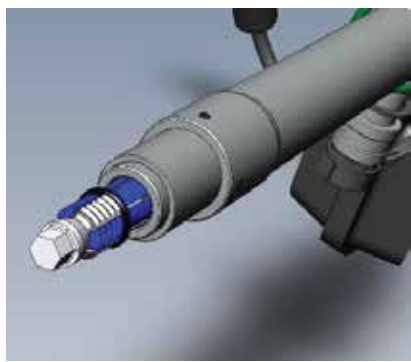
PSR's Collet Style Tube Puller was designed and built to rapidly pull "Pop-Out" tubes 6 inches from the tube sheet within condensers, chillers and similar vessels. It effectively removes stubs left behind by the internal tube cutter.

This compact, lightweight, portable tool is powered by a 10,000 psi hydraulic pump to produce the necessary pulling force to remove the hardest to pull tubes from operational and retired units.

The P0600 model puller saves time and reduces tooling and labor cost and complements our other tube removal tools. We continue to improve our designs to stay ahead of our competitors and insure our customers achieve the desired results with trouble free operation.

### Our standard kit includes:

- Hydraulic pump with oil
- 20 ft. of air & Hyd. hose & remote control cord
- Moisture tight case with service tools
- Pressure gauge and tool lubricants
- Instruction manual and spare parts
- Specified quantity of consumable & size adapter parts



Jaw Set Assembly



10,000 psi Hydraulic Pump

**Simple to Use • Rapid • Cost Efficient**



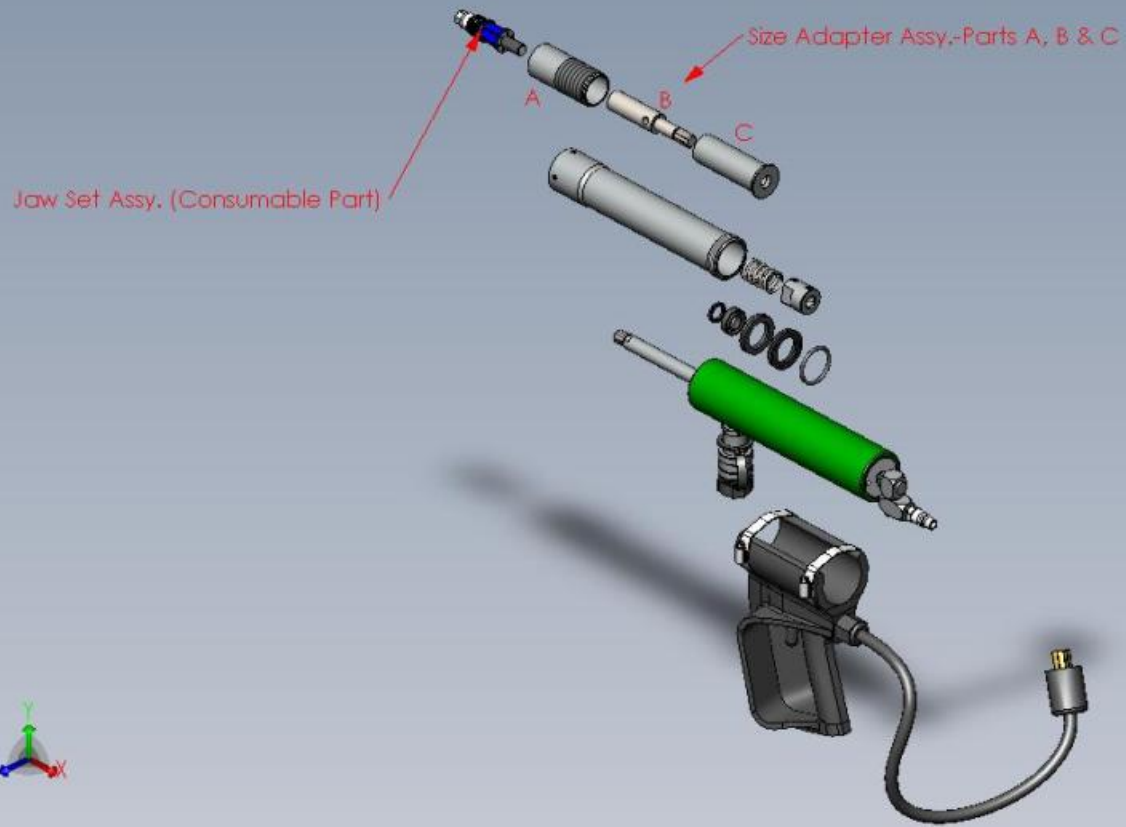
**Power System Recovery**  
1482 East Valley Road- Suite 103  
Santa Barbara, CA 93108



**Complete P0600 Puller and Pump Package**



## CONSUMABLE & SIZE ADAPTER PARTS



## Size Adapter Assembly

Part Number	Description
P0604-100	Adapter Assembly

---

Part Number	Description
P0604-750	Adapter Assembly

---

Part Number	Description
P0604-875	Adapter Assembly



## Jaw Set Assembly

Part Number	Description
P0605-100	Jaw Set Assembly

---

Part Number	Description
P0605-750	Jaw Set Assembly

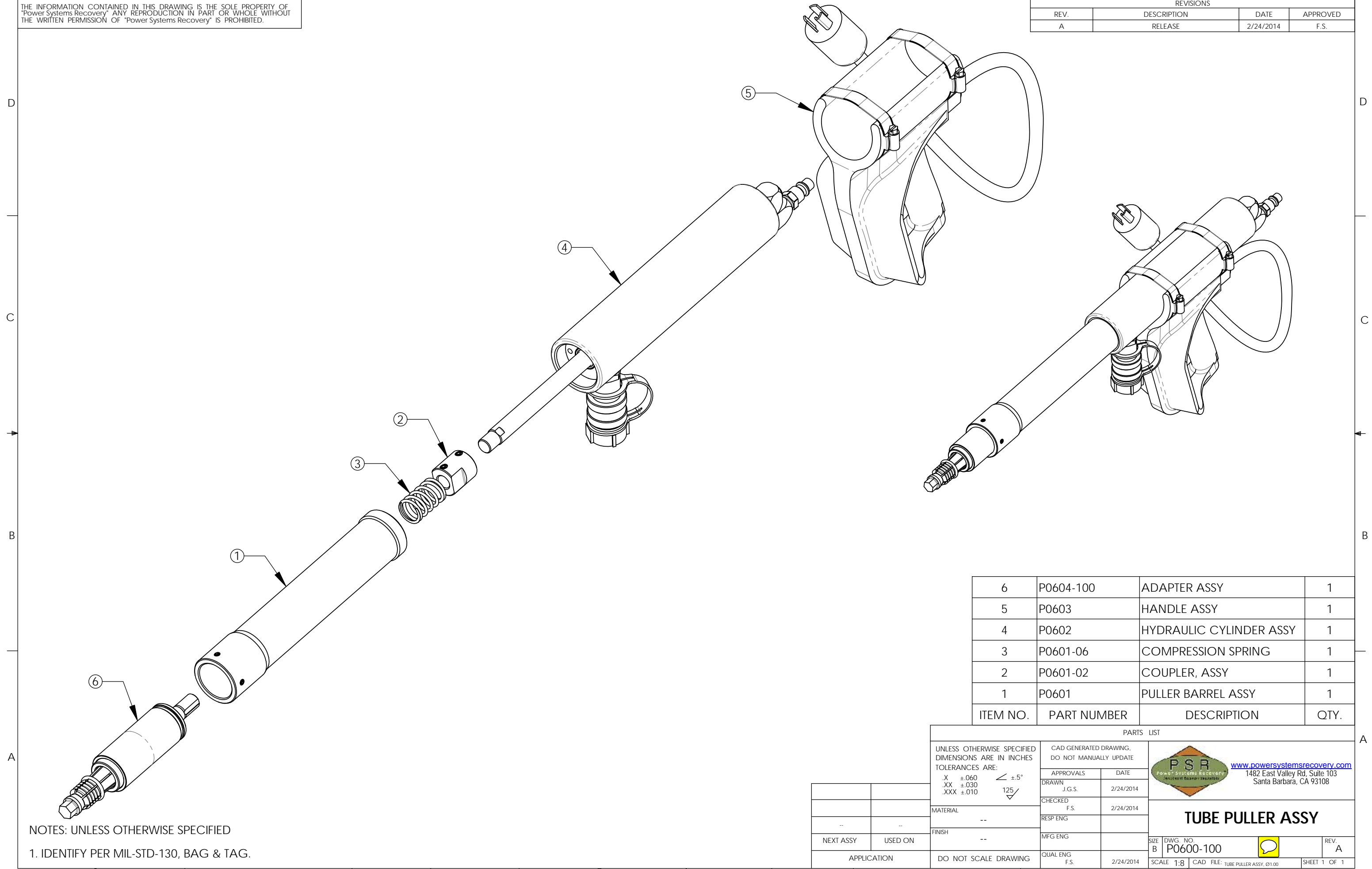
---

Part Number	Description
P0605-875	Jaw Set Assembly



THE INFORMATION CONTAINED IN THIS DRAWING IS THE SOLE PROPERTY OF "Power Systems Recovery" ANY REPRODUCTION IN PART OR WHOLE WITHOUT THE WRITTEN PERMISSION OF "Power Systems Recovery" IS PROHIBITED.


REVISIONS			
REV.	DESCRIPTION	DATE	APPROVED
A	RELEASE	2/24/2014	F.S.



ITEM NO.	PART NUMBER	DESCRIPTION	QTY.
6	P0604-100	ADAPTER ASSY	1
5	P0603	HANDLE ASSY	1
4	P0602	HYDRAULIC CYLINDER ASSY	1
3	P0601-06	COMPRESSION SPRING	1
2	P0601-02	COUPLER, ASSY	1
1	P0601	PULLER BARREL ASSY	1

NOTES: UNLESS OTHERWISE SPECIFIED  
 1. IDENTIFY PER MIL-STD-130, BAG & TAG.

PARTS LIST			
UNLESS OTHERWISE SPECIFIED DIMENSIONS ARE IN INCHES TOLERANCES ARE: .X ±.060 .XX ±.030 .XXX ±.010		CAD GENERATED DRAWING, DO NOT MANUALLY UPDATE	
APPROVALS		DATE	
DRAWN J.G.S.		2/24/2014	
CHECKED F.S.		2/24/2014	
MATERIAL --		RESP ENG	
FINISH --		MFG ENG	
NEXT ASSY USED ON		QUAL ENG F.S. 2/24/2014	
APPLICATION DO NOT SCALE DRAWING		SCALE 1:8	



**PSR**  
Power Systems Recovery

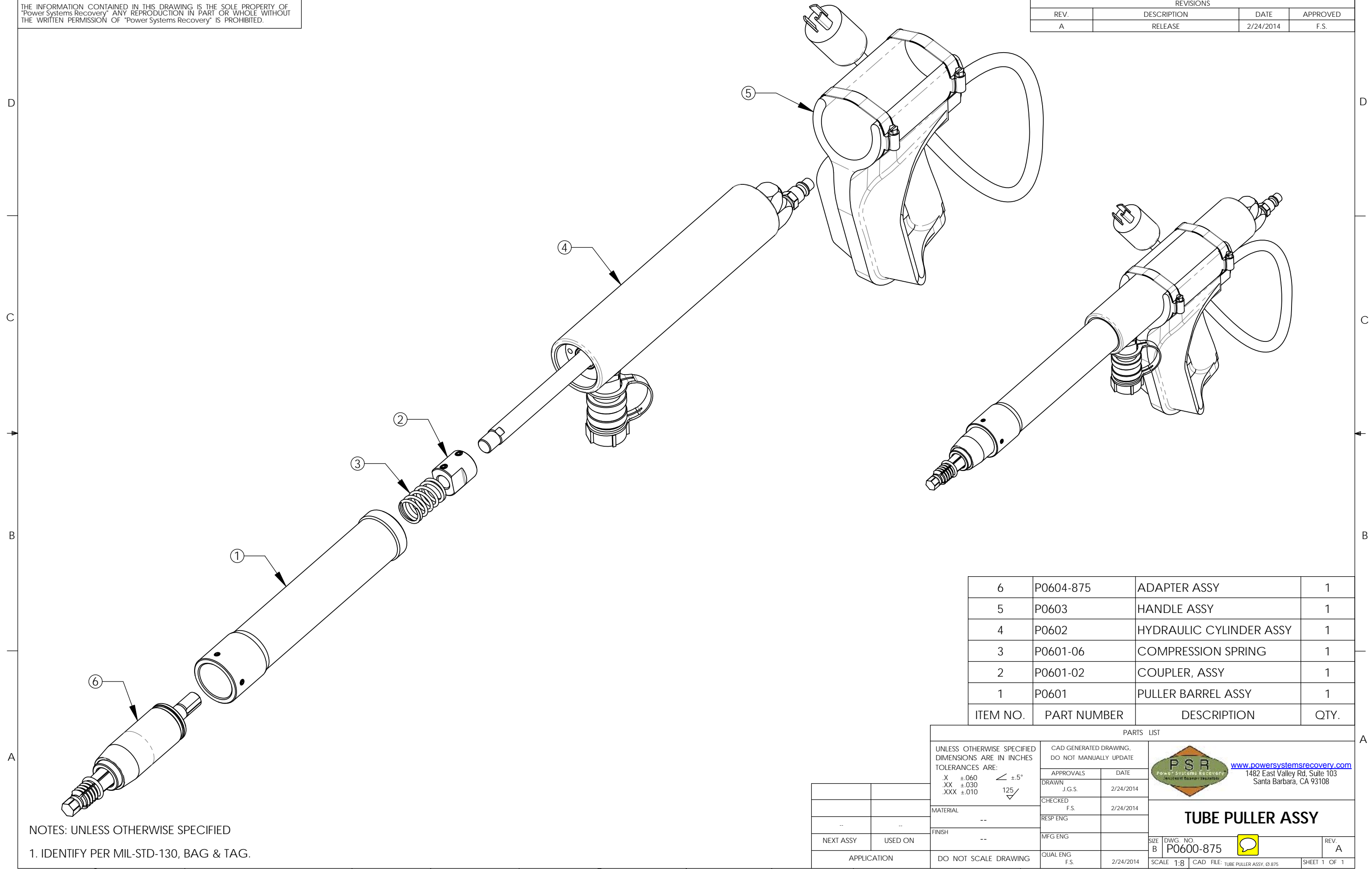
[www.powersystemsrecovery.com](http://www.powersystemsrecovery.com)  
 1482 East Valley Rd, Suite 103  
 Santa Barbara, CA 93108

### TUBE PULLER ASSY

SIZE B	DWG. NO. P0600-100	REV. A
SHEET 1 OF 1		CAD FILE: TUBE PULLER ASSY_01.00


THE INFORMATION CONTAINED IN THIS DRAWING IS THE SOLE PROPERTY OF "Power Systems Recovery". ANY REPRODUCTION IN PART OR WHOLE WITHOUT THE WRITTEN PERMISSION OF "Power Systems Recovery" IS PROHIBITED.

REVISIONS			
REV.	DESCRIPTION	DATE	APPROVED
A	RELEASE	2/24/2014	F.S.



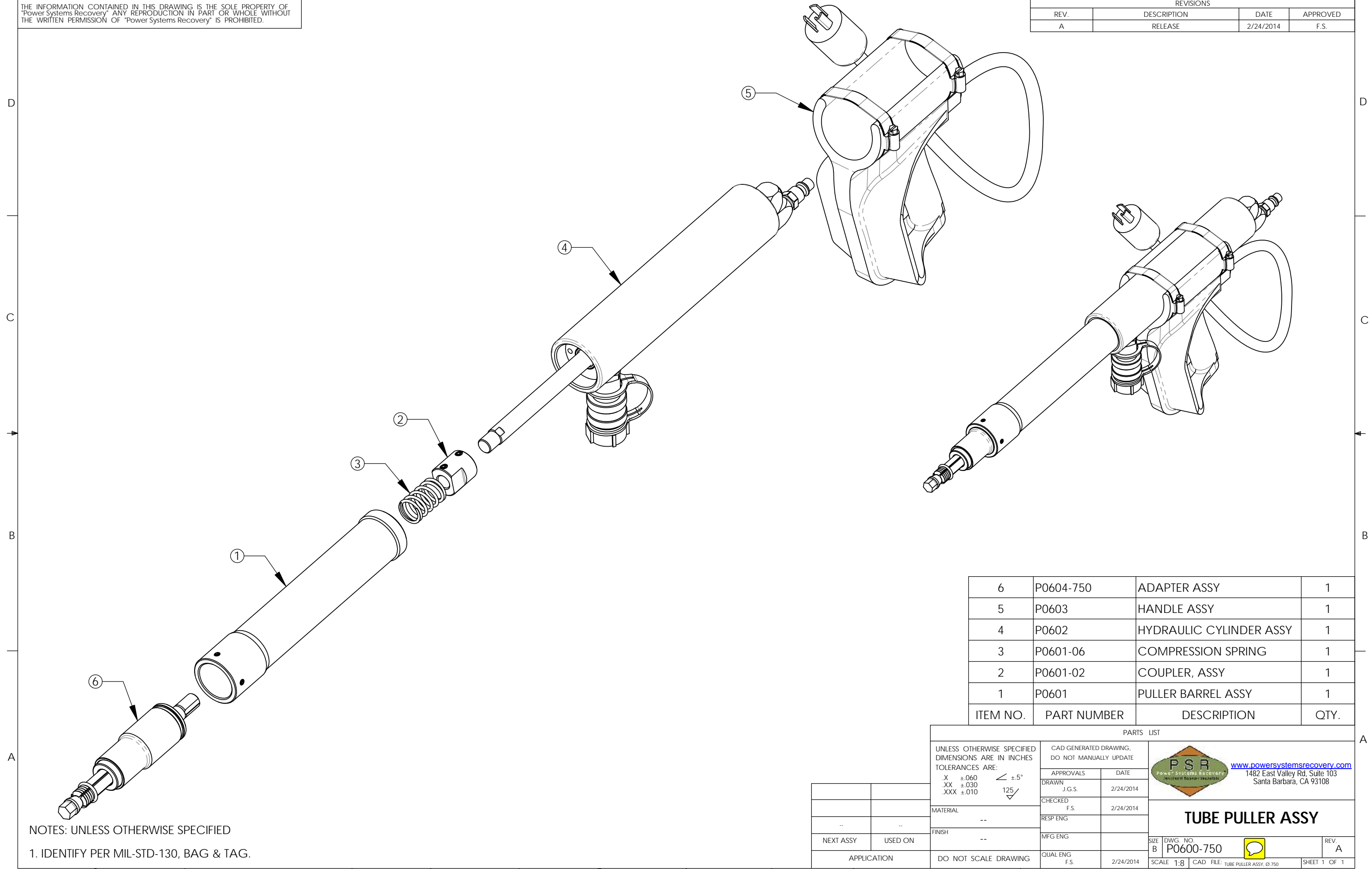
ITEM NO.	PART NUMBER	DESCRIPTION	QTY.
6	P0604-875	ADAPTER ASSY	1
5	P0603	HANDLE ASSY	1
4	P0602	HYDRAULIC CYLINDER ASSY	1
3	P0601-06	COMPRESSION SPRING	1
2	P0601-02	COUPLER, ASSY	1
1	P0601	PULLER BARREL ASSY	1

NOTES: UNLESS OTHERWISE SPECIFIED  
 1. IDENTIFY PER MIL-STD-130, BAG & TAG.

PARTS LIST			
UNLESS OTHERWISE SPECIFIED DIMENSIONS ARE IN INCHES TOLERANCES ARE:		CAD GENERATED DRAWING, DO NOT MANUALLY UPDATE	
.X ±.060	∠ ±5°	APPROVALS	DATE
.XX ±.030	125	DRAWN J.G.S.	2/24/2014
.XXX ±.010		CHECKED F.S.	2/24/2014
MATERIAL --		RESP ENG	
FINISH --		MFG ENG	
NEXT ASSY	USED ON	QUAL ENG F.S.	2/24/2014
APPLICATION	DO NOT SCALE DRAWING	 <a href="http://www.powersystemsrecovery.com">www.powersystemsrecovery.com</a> 1482 East Valley Rd, Suite 103 Santa Barbara, CA 93108	
		<b>TUBE PULLER ASSY</b> SIZE B DWG. NO. P0600-875 SCALE 1:8 CAD FILE: TUBE PULLER ASSY_01875 SHEET 1 OF 1	


THE INFORMATION CONTAINED IN THIS DRAWING IS THE SOLE PROPERTY OF "Power Systems Recovery" ANY REPRODUCTION IN PART OR WHOLE WITHOUT THE WRITTEN PERMISSION OF "Power Systems Recovery" IS PROHIBITED.

REVISIONS			
REV.	DESCRIPTION	DATE	APPROVED
A	RELEASE	2/24/2014	F.S.



ITEM NO.	PART NUMBER	DESCRIPTION	QTY.
6	P0604-750	ADAPTER ASSY	1
5	P0603	HANDLE ASSY	1
4	P0602	HYDRAULIC CYLINDER ASSY	1
3	P0601-06	COMPRESSION SPRING	1
2	P0601-02	COUPLER, ASSY	1
1	P0601	PULLER BARREL ASSY	1

NOTES: UNLESS OTHERWISE SPECIFIED  
 1. IDENTIFY PER MIL-STD-130, BAG & TAG.

PARTS LIST			
UNLESS OTHERWISE SPECIFIED DIMENSIONS ARE IN INCHES TOLERANCES ARE:		CAD GENERATED DRAWING, DO NOT MANUALLY UPDATE	
.X ±.060	∠ ±5°	APPROVALS	DATE
.XX ±.030	125	DRAWN J.G.S.	2/24/2014
.XXX ±.010		CHECKED F.S.	2/24/2014
MATERIAL --		RESP ENG	
FINISH --		MFG ENG	
NEXT ASSY	USED ON	QUAL ENG F.S.	2/24/2014
APPLICATION	DO NOT SCALE DRAWING	 <a href="http://www.powersystemsrecovery.com">www.powersystemsrecovery.com</a> 1482 East Valley Rd, Suite 103 Santa Barbara, CA 93108	
		<b>TUBE PULLER ASSY</b>	
SIZE B	DWG. NO. P0600-750	SCALE 1:8	REV. A
		CAD FILE: TUBE PULLER ASSY. 0250	SHEET 1 OF 1